

# Model 8570 Thermostat: The "One" Thermostat...

...the "right" thermostat to cover virtually every application.

Whether the application is heat/cool or heat pump, single-or multi-stage, residential or light commercial, the Model 8570 is the thermostat to help build your business.

The 8570 thermostat provides exceptional value for you and your customers because it is easy to install, program and operate.

Boasting a large, easy-to-read, vibrantly backlit display, this thermostat provides more "at-a-glance" information about the HVAC system, its accessories and the indoor and outdoor environment than any other thermostat.

Plus, since it's menu-driven, it is so intuitive that both you and your customers will easily program it – even without the manual. It's that easy. No more nuisance callbacks.

Take it for a test drive at [www.aprilairecontractor.com](http://www.aprilairecontractor.com).



## CONSUMER BENEFITS

### Simplest Programming and Operation Available

- Menu driven approach results in the ultimate simplicity.

### Large Backlit Display

- Convenient viewing at any light level.

### Equipment Monitors

- Tells the user when to change their air filter, service their humidifier, change their UV Germicidal Lamp(s) or service their HVAC equipment. This results in greater comfort, maximum operating efficiency, long equipment life and a satisfied customer.

### Displays Outdoor Temperature and Indoor Relative Humidity

- By means of connection to optional outdoor sensor or Automatic Humidifier Control the thermostat becomes your personal indoor environment center.

### Holiday Feature

- Allows the thermostats program to be overridden until the date and time you select whether you're away for hours, days or weeks.

### Progressive Recovery (selectable)

- Assures that the heating or cooling equipment starts at the optimum time to reach your chosen set point after an overnight set back.

### Permanent Program Memory

- The program and all application settings are permanently stored even in a power outage. Clock setting is maintained for 45 minutes accounting for routine equipment service.

### Automatic Daylight Savings Time Adjustment (selectable)

## CONTRACTOR BENEFITS

### The "One" Thermostat for Your Business

- Ideal for both residential and light commercial applications.
- Controls either single or multi-stage equipment
- Compatible with virtually all types of equipment – split system, rooftop, hydronic, heat pumps (including dual fuel), etc.

### Customer Retention

- Thermostat displays your name and phone number assuring you get the call for service and replacement parts like filters, humidifier Water Panels, UV bulbs.

### Simplest Programming and Operation

- Reduces nuisance calls associated with old fashioned programmable thermostats.



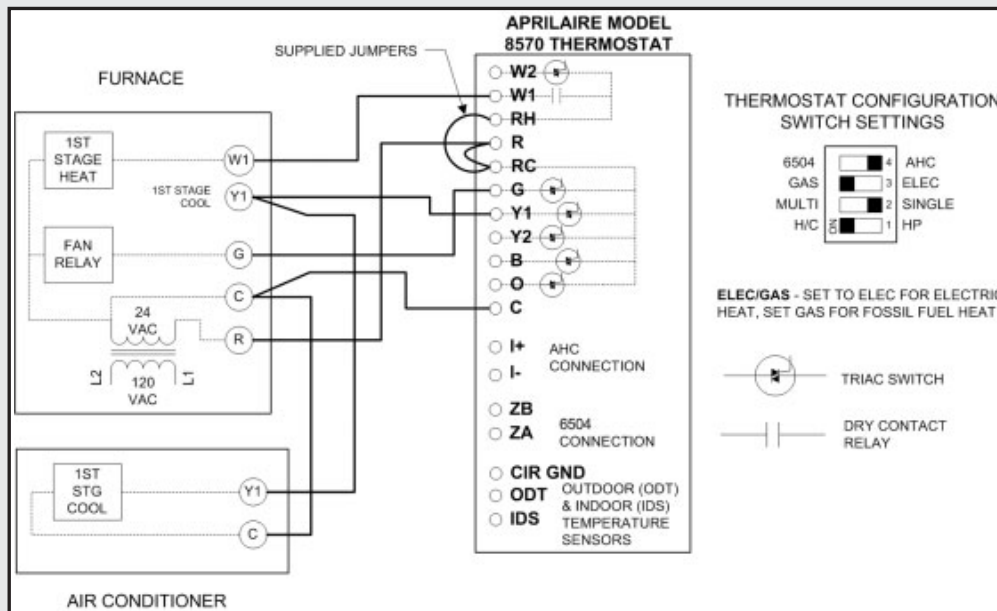
### Intelligent Installation Options

- Create intelligent solutions through connection to Aprilaire Automatic Humidifier Control or Model 6504 Intelligent Zoned Comfort System
- View or control other thermostats through the 6504.
- Extend blower operation for added humidification run time.
- View outdoor temperature and indoor relative humidity.



# APRILAIRE MODEL 8570 THERMOSTAT

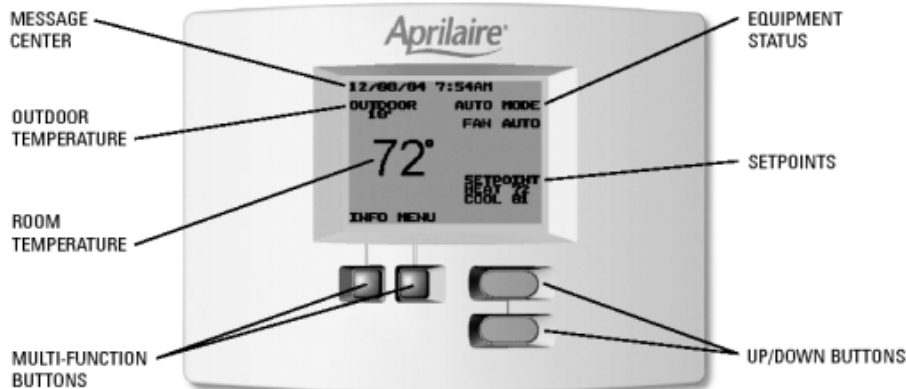
## WIRING DIAGRAM - TYPICAL SINGLE-STAGE WIRING SHOWN



## OUTPUT TERMINALS

W1	1st-Stage Heat
W2	2nd-Stage Heat or Emergency Heat
Y1	1st-Stage Cooling/Compressor
Y2	2nd-Stage Cooling/Compressor
G	Fan
R	24V Hot
C	24V Common
RC	24V (AC) Supply From Heating Equipment
RH	24V (AC) Supply From Cooling Equipment
O	Reversing Valve (cooling)
B	Reversing Valve (heating)

## MAIN SCREEN VIEW



## Additional Features

- Programmable Fan
- Field Calibration
- Temporary or Permanent Hold
- Adjustable Differential
- Thermostat Lockout Settings
- Residential or Commercial Display Verbiage

## PRODUCT SPECIFICATIONS

Electrical	
Thermostat Voltage	24-volts ±20% AC or DC
Max. Total Load Current	2A
Max. Load Current thru Single Output	1A
Solid State Output Residual Current	Less than 5 mA
Voltage Drop at Solid State Outputs	Less than 1-volt
Thermal	
Operating Range	32°F – 99°F (0 C – 37 C)
Display Accuracy	±1°F between 60°F and 80°F, ±2°F outside this range
Control Accuracy	±1°F
Control Range Heat	40°F – 88°F (4 C – 30 C)
Control Range Cool	42°F – 90°F (6 C – 32 C)
Heat/Cool Deadband	2°F or C
1st Stage Differential	Adjustable 1°F – 3°F (1°F default)
2nd Stage Differential	Adjustable 1°F – 3°F (1°F default)



View or adjust the entire program schedule at-a-glance.