




## Santa Fe Rx Performance and Technical Specifications

Part Number:	4023673
Blower:	230 CFM (0 IWG)
Kilowatts:	.68 (80°F, 60% RH)
Supply Voltage:	115 volt – 1 phase – 60 Hz
Amps:	6.3
Energy Factor:	2.5 
Operating Temp:	65°F Min., 100°F Max. Built-in defrost
Capacity:	86 Pints/Day (80°F, 60% RH)
Sized for:	2200 Sq. Ft. - Typical

### Minimum Performance at Set Conditions

Intake Air:	80°F, 60% RH
Water Removal:	86 Pints/Day
Pints/KWH:	5.3

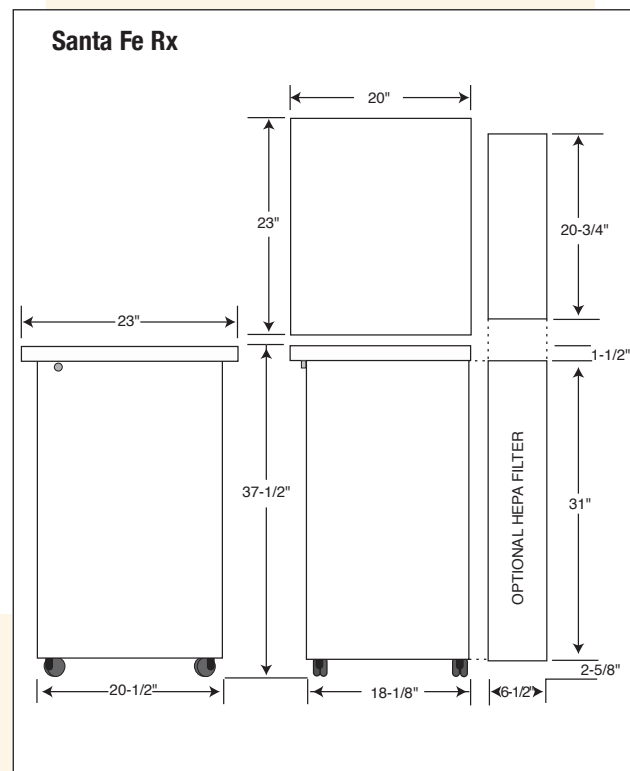
Filter Efficiency:	MERV-11 (16" x 20" x 2") Standard 65% Efficient ASHRAE Dust Spot Test Optional HEPA (MERV-16) 99.997% A.D.S.
--------------------	---

Power Cord:	12' – 115 volt grounded plug
Internal Condensate Pump:	.19" ID x 20' of drain hose with 15' lift

Santa Fe Rx Dimensions:	Dimensions with Secondary Filter Housing:	
Width:	23"	23"
Height:	37-1/2"	37-1/2"
Depth:	20"	24-5/8"
Weight:	130 lbs	

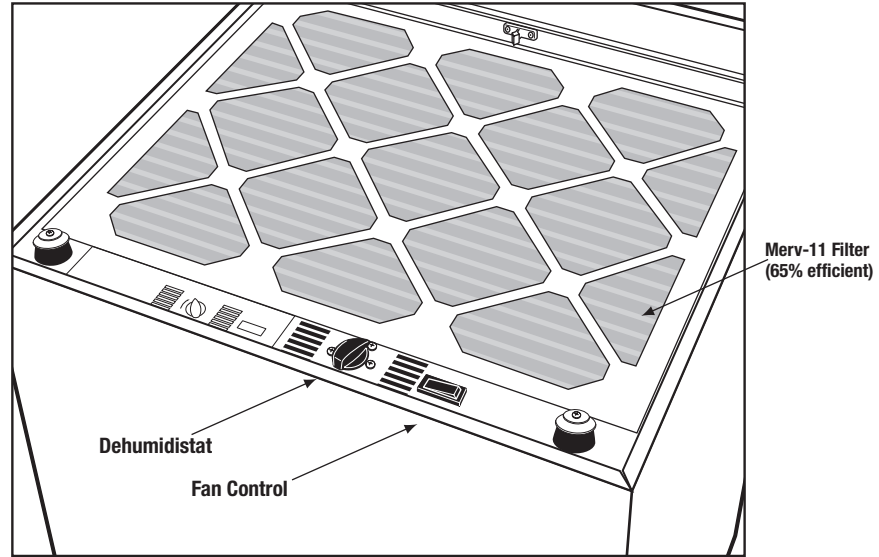
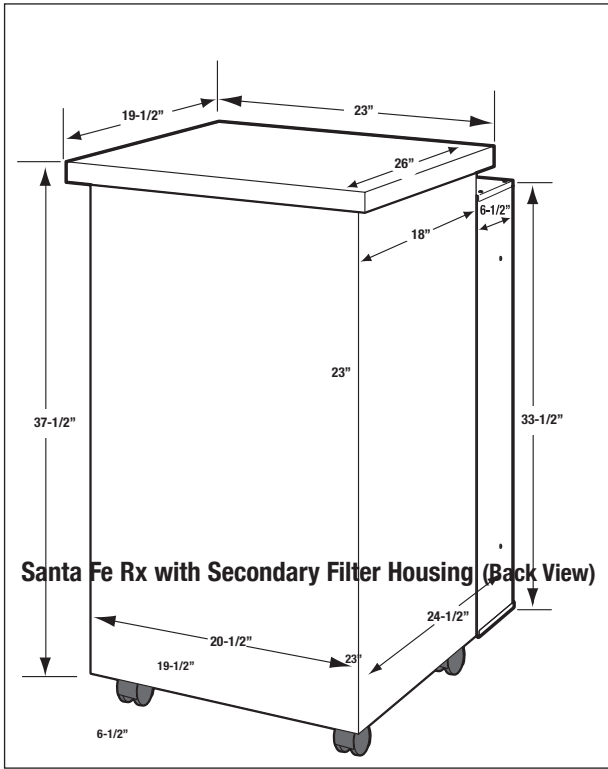
### Optional Accessories for the Santa Fe Rx

Part No.	Description
4023869	Secondary Filter Housing
4024145	HEPA Filter 99.976% Efficient 20" x 32" x 4"
4022489	95% Efficient Filter 16" x 20" x 4" (Use 2) MERV-14
4023612	Carbon Filter 16" x 20" x 3" (Use with pleated filter)
4024264	Pleated Filter 16" x 20" x 1" (Use with carbon filter)
4021475	Standard Filter 65% Efficient 16" x 20" x 2" MERV-11
4024528	Bulk Activated Carbon Granules





# Santa Fe Rx Ultra Efficient Dehumidifier



## Santa Fe Rx Filtration

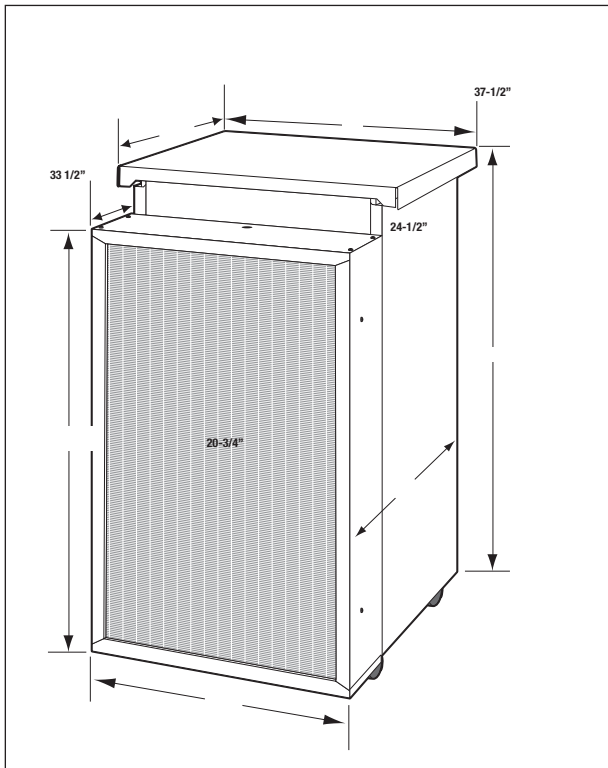
Standard air filtration is provided by a pleated polyester and cotton blend media filter located at the air intake at the top of the unit. The efficiency rating of this filter is 65% in the ASHRAE 52-76 Dust Spot Test and MERV-11 in the ASHRAE Dust Spot Test.

The optional HEPA filter is a micro-glass paper mini-pleat filter located in a special housing mounted on the back of the Santa Fe Rx cabinet. The efficiency rating of this filter is 99.97% on the D.O.P. Test.

The special filter housing can be used to hold two 16" x 20" x 3" activated carbon and potassium permanganate blend filters and two 16" x 20" x 1" pleated filters instead of the HEPA filter.

If HEPA filtration is required in addition to activated carbon and potassium permanganate filtration, loose fill carbon and potassium media is available in 5 gallon containers that can be loaded onto the pleats of the pre-filter.

Ocean State Air Solutions, Inc.  
 Portsmouth, RI 02871  
 (401) 293-0422 or Toll Free (866) 865-0425  
 Email: [info@OceanStateAir.com](mailto:info@OceanStateAir.com)  
 Web Site: [www.OceanStateAir.com](http://www.OceanStateAir.com)



P. O. Box 8680 Phone 608-222-5301  
 Madison, WI 53708 Toll-Free 1-800-533-7533  
[www.thermastor.com](http://www.thermastor.com) sales@thermastor.com